

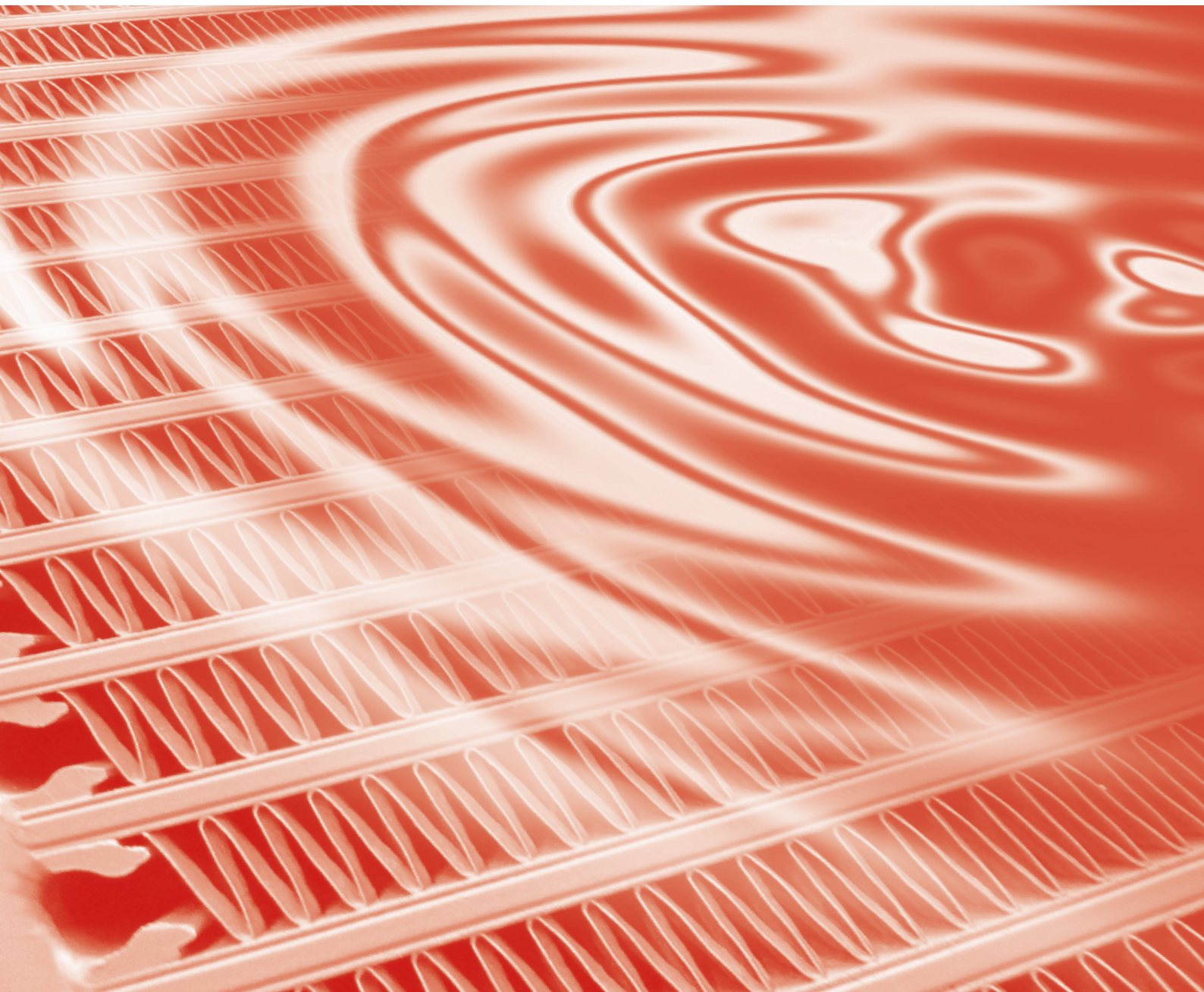


# Compressor Aftercoolers

**GLOBAL STANDARD COOLER**

**AKG-Line**

**CA**



## AIR/AIR HEAT EXCHANGERS WITH AC-MOTOR

### PRODUCT INFORMATION

The **AKG-Line CA** (Compressor Aftercooler) was specially developed in order to cool down compressed air. Based on AKG's experience with compressor OEM cooler designs along with many years of compressor cooler field service in rugged real life conditions, we developed our AKG Line CA of Standard Compressor aftercoolers. AKG is best known for its world-wide presence, German engineering and extremely reliable product quality on the one hand and very competitive prices on the other hand.

**AKG-Line CA LP Series** (Low Pressure) and **AKG-Line CA HP Series** (High Pressure) consist of different aftercooler models for stationary and mobile applications. Aftercooler assemblies include aftercooler, fan unit, AC motor, finger guard and support feet. **AKG-Line CA** complies with European Standard (DRGL 97/23 EG) and is available through our global specialist dealer network.

All of AKG's solutions have been developed with state-of-the-art technology, produced in compliance with the highest quality standards and are comprehensively tested in the company's own research and test facility.

**AKG-Line CA LP Series** was developed to handle very low internal pressure drops for operating pressures up to 3 bar and temperatures up to 250 °C. Typical applications are rotary piston fans (roots blowers).

**AKG-Line CA HP Series** was developed for high compressor airflows with low approach temperatures for operating pressures up to 16 bar and temperatures up to 120 °C. These coolers are ideal for difficult applications operating as an aftercooler or intermediate cooler in a multi stage compressor, e.g. in tropical conditions.

### FEATURES

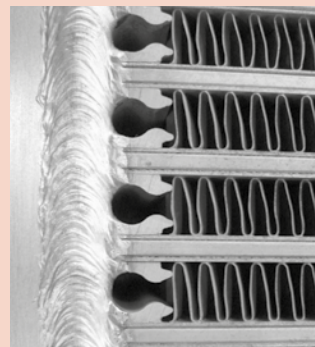
- High-Performance Aluminium cooling assemblies
- AC-motor powered fan (pushing)
- The heat is transferred from the medium to be cooled to the ambient air
- Can be exposed to 16 bar / 120 °C (HP) and 3 bar / 250 °C (LP)

### BENEFITS

- Highly flexible complete, ready-to-use compressor cooling packages
- With water separator as an option
- Best heat transfer results per given cooler size due to comprehensive research and development

- Highest quality due to professional engineering and in-house manufacturing
- Available from stock or at short notice
- As a standard, equipped with **AKG's double-life** hollow sections designed to increase cooler service life
- Noised optimized models available as a standard option (low-noise series)
- Available for 50 Hz and 60 Hz fan unit motorization
- Especially suited for rugged environments. Fin system prevents clogging and is easy to clean

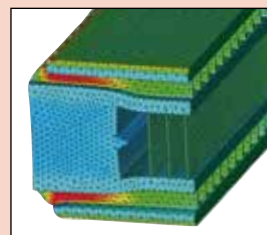
### FLEXIBLE AKG HOLLOW PROFILE



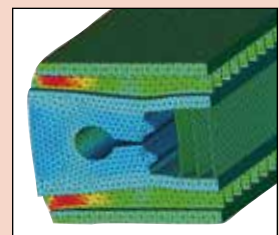
AKG-Line uses AKG hollow profiles to reduce local peak strains. This way the strength of heat exchangers is significantly increased and their service life time considerably prolonged.

### AKG HOLLOW PROFILE FEATURES

- **Reduced Strain:**  
Strength calculations show that when using AKG hollow profiles maximum strain is reduced by a factor of 2
- **Prolonged Service Life Time:**  
Extensive rig tests have shown that service life time increases by a factor ranging from 3 to 5



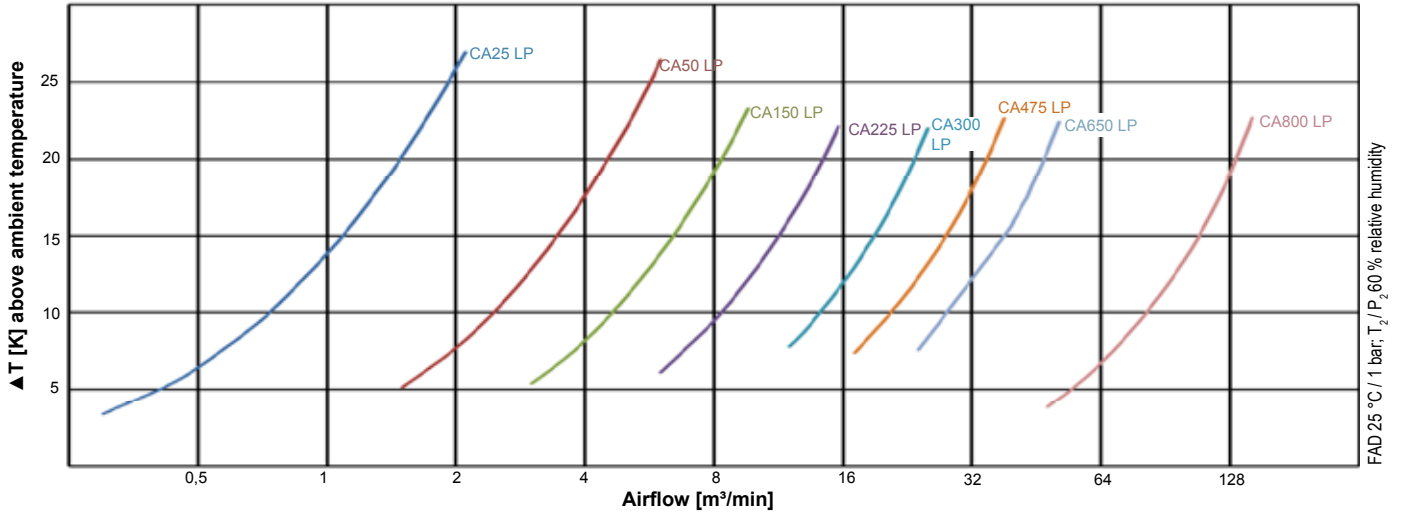
with standard profile



with hollow profile

**AKG-LINE CA LP**

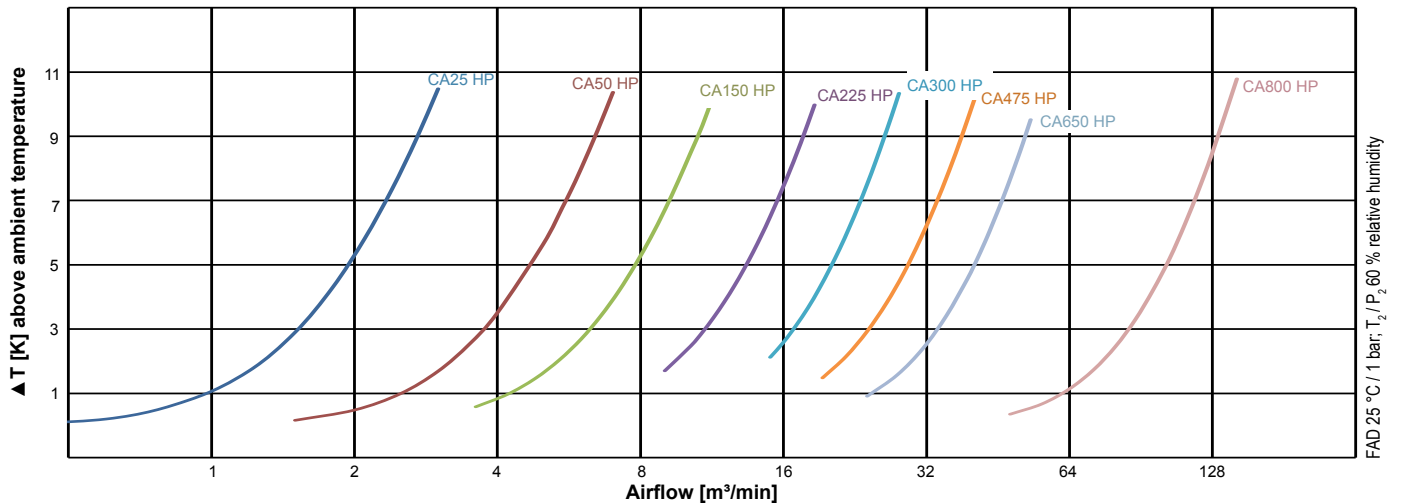
**OPERATING CONDITIONS OF LOW PRESSURE SERIES MAX. 3 BAR / 250 °C**



AKG-Line CA Selections Software, which is available free of charge will guide you through the cooler model selection process in simple steps and will recommend the optimal cooler made of painted aluminium.

**AKG-LINE CA HP**

**OPERATING CONDITIONS OF HIGH PRESSURE SERIES MAX. 16 BAR / 120 °C**



## TECHNICAL DATA

Model Size	Max. Operating Data		Voltage of 3 Phase Motor	Motor Power Consumption (kW)	Nominal Fan Speed (kW)	Approx. Noise Level (dB (A), 1m)	Approx. Net Weight of Assembly		Frequency (HZ)
	HP (bar/°C)	LP (bar/°C)					HP (kg)	LP (kg)	
CA25	16/120	3/250	230/400	0,37	3000	80	21	21	50
CA50	16/120	3/250	230/400	0,55	1500	81	33	33	50
CA150	16/120	3/250	230/400	0,75	1500	80	42	42	50
CA225	16/120	3/250	230/400	0,75	1500	83	56	55	50
CA300	16/120	3/250	230/400	0,75	1500	82	89	94	50
CA475	16/120	3/250	230/400	2,2	1500	80	108	113	50
CA650	16/120	3/250	230/400	2,2	1500	88	156	165	50
CA800	16/120	3/250	400/690	11	1500	98	362	381	50

All data based on nominal speed conditions !

## DIMENSIONS

Model Size	A	B	C (approx)	D	E	F	G	H	J	K	L	M	N	O	P
CA25	373,5	400	408	197,5	95	21,5	G1 1/4	453	100	250	M6	9 x 12	480	-	22
CA50	482,5	550	521	252,5	95	22,5	G1 1/4	603	100	250	M6	9 x 12	630	-	22
CA150	585	650	508	302,5	95	20	G1 1/4	703	100	250	M6	9 x 12	730	-	22
CA225	647,5	773,5	512	335	107	22,5	G2	826	115	280	M8	9 x 12	863	-	21
CA300	781	943	626	427	160,5	73	DN80	1020	187,5	550	M10	ø14	1155	150	-
CA475	869,5	993	669	469,5	160,5	69,5	DN80	1070	187,5	550	M10	ø14	1205	150	-
CA650	983,5	1092	677	576	176	73,5	DN100	1169	275	750	M12	ø14	1330	175	-
CA800	1516	1340	884	841	176	71	DN100	1354	275	750	M12	ø14	1578	175	-

All dimensions in mm

## ORDERING INFORMATION

Serial Code: Model Size: Pressure Range: Optional Custom Features:

CA		
----	--	--

--

--

with:

Low Pressure [LP]  
High Pressure [HP]

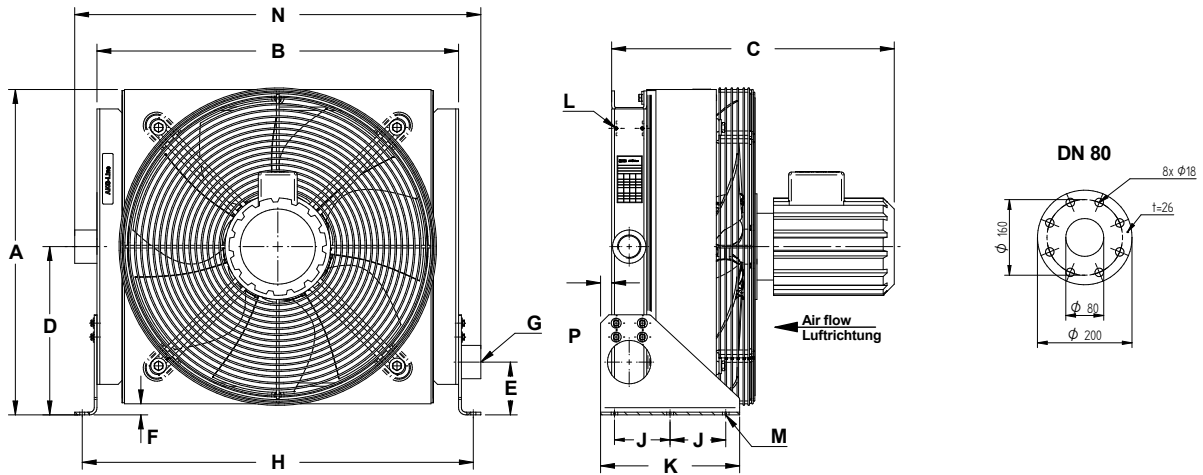
with Resistplast Coating [+R]  
with PTFE Based Coating [+T]  
with Motor Frequency 60 Hz [+60Hz]

without:

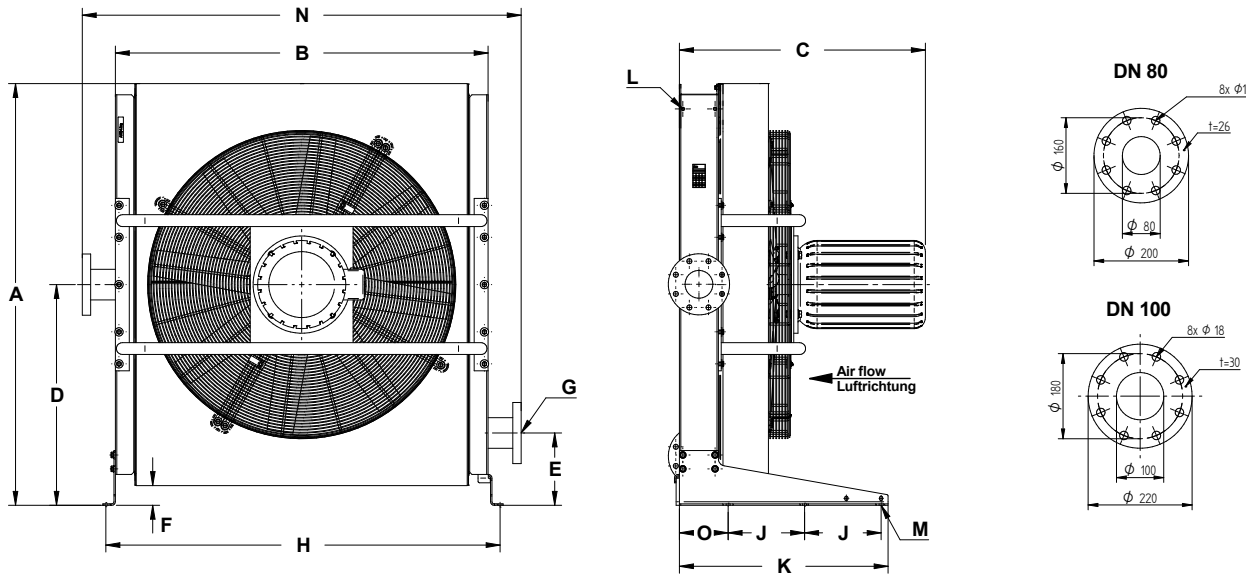
without Motor [-M]  
without Motor, without Fan [-FM]  
Cooler Only [C]  
Cooler without Paint [-P]  
without Support Feet [-F]

Order Code Example: Heat Exchanger, Low Pressure, Air Volume 25 l/s, pushing, AC-driven fan -> **CA25LP**  
Heat Exchanger, Low Pressure, Air Volume 150 l/s, pushing AC-driven fan -> **CA150HP**

## COOLER DIMENSIONS CA25 TO CA475



## COOLER DIMENSIONS CA650 TO CA800



## STANDARD SCOPE OF SUPPLY OF AIR-TO-AIR COOLING SYSTEM

- Cooler made of painted aluminium
- Plastic fan
- Fan-Shroud, fingerguard support feet and motorholder all made of steel (chromated or powder coated)
- Motor



AKG Thermotechnik International  
GmbH & Co. KG  
P.O. Box 1346  
34363 Hofgeismar, Germany  
Fon: +49 5671 - 8 83-0  
E-Mail: [info@akg-group.com](mailto:info@akg-group.com)  
Internet: [www.akg-group.com](http://www.akg-group.com)

## AKG – A STRONG GLOBALLY INTEGRATED GROUP OF COMPANIES

AKG is a globally leading supplier of high-performance coolers and heat exchangers as well as customised system solutions that comply with the highest quality standards.

On a world-wide scale 2,500 employees work at 11 manufacturing facilities located in Germany, France, Latvia, Turkey, the U.S.A., Brasil, China and India. Together with a number of additional oversea sales companies they are on duty around the clock.

Your AKG-Partner



The longstanding and competent partnership with global OEM customers from 22 lines of business such as construction machinery, compressed-air systems, agricultural and forestry machines, vehicle construction and many other fields of application give fresh and innovative impetus to the mobile and industrial standard type series.

AKG operates one of the world's largest research, development, measurement and validation centres for cooling solutions and customised applications.

AKG's heat exchangers have stood for innovative solutions as well as highest engineering and manufacturing competence for more than 100 years.

Aluminium Coolers – Made by AKG  
DIN EN ISO 9001